

APR 3020

REVERSIBLE VIBRATORY PLATE



DESIGNED FOR HIGH PRODUCTIVITY

The APR 3020 maintains the easy handling that is common to smaller reversible vibratory plates, but it adds productivity potential with working widths of 50 cm or 60 cm. That added capacity helps cover ground quickly, yet also maintains the “on-the-spot” capabilities, enabling a focus on particularly tough-to-compact areas.

INNOVATIVE HANDLE

- The lox vibration handle reduce stress on the operator.
- Round handle for optimized grip for all individual operator.
- Opening in handle prevents the machine from getting damaged by lifting on unsuitable positions.

MAKES THE GRADE

- Overcomes grades between 30 % et 35 %.

READY TO RENT

- Low-cost upkeep.
- Good match for many applications.
- Easy for new users to operate.

TWIN-SHAFT EXCITER UNIT

- Shaft positioning enables the operator to easily change directions.
- Smooth variable hydrostatic unit allows machine to move easily in forward and reverse.
- “On-the-spot” vibration can be utilised in particularly challenging areas.

DURABLE

- Well-protected, robust centrifugal clutch with wear-resistant V belt.
- Service-friendly exciter unit with long lifetime.
- Wear-resistant, self-cleaning base plate.
- Sturdy protection frame with central lifting point.

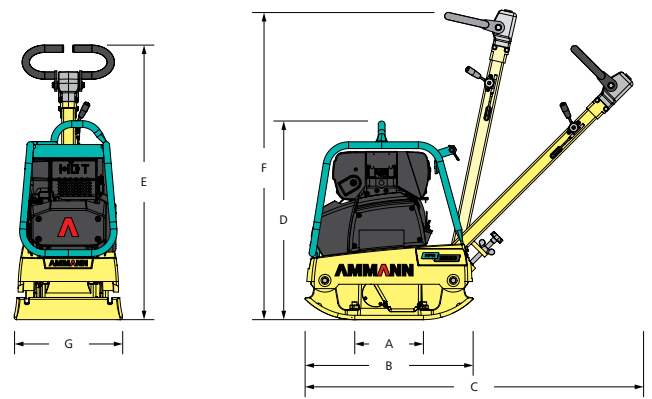
APPLICATIONS

- Earthwork and paving applications
- Road and rail track construction
- Compaction work in narrow trenched, confined areas
- Landscape and gardening
- Foundation work
- Sensitive surfaces (with optimal rubber mats for stone protection)

TECHNICAL SPECIFICATIONS
APR 3020 REVERSIBLE VIBRATORY PLATE

WEIGHT & DIMENSIONS

	PETROL	DIESEL
MACHINE WEIGHT	199/203 kg (440/446 lb)	213/217 kg (468/477 lb)
A BASE PLATE LENGTH	330 mm (13.0 in)	330 mm (13.0 in)
B MACHINE LENGTH	700 mm (27.6 in)	700 mm (27.6 in)
C WITH HANDLE	1140 mm (44.9 in)	1140 mm (44.9 in)
D MACHINE HEIGHT	740 mm (29.1 in)	740 mm (29.9 in)
E HANDLE HEIGHT (WORK)	1000 mm (40 in)	1000 mm (40 in)
F HANDLE HEIGHT (TRANSPORT)	1180 mm (46.5 in)	1180 mm (46.5 in)
G MACHINE WIDTH	500/600 mm (19.7/23.6 in)	500/600 mm (19.7/23.6 in)



ENGINE

ENGINE	Honda GX 270	Hatz 1 B 30
FUEL	Petrol	Diesel
ENGINE OUTPUT	8.6 HP / 6.3 kW	6.1 HP / 4.5 kW
AT RPM	3100	2900
FUEL CONSUMTION	2.1 l/h (0.5 gal/h)	1.3 l/h (0.3 gal/h)

COMPACTION FORCES

MAX. VIBRATION FREQUENCY	90 Hz (5400 vpm)	90 Hz (5400 vpm)
MAX. CENTRIFUGAL FORCE	30 kN (6.7 lfb)	30 kN (6.7 lfb)
WORKING SURFACE	660 m ² /h (7104 ft ² /h)	660 m ² /h (7104 ft ² /h)
WITH EXTENSION PLATES	720 m ² /h(8611 ft ² /h)	720 m ² /h (8611 ft ² /h)
MAX. COMPACTION DEPTH (DEPENDING ON GROUND CONDITIONS)	35/30 cm (13.8/11.8 in)	35/30 cm (13.8/11.8 in)

MISCELLANEOUS

SPEED	0-22/20 m/min	0-22/19 m/min
FUEL TANK	6 l/h (1.3 gal/h)	5 l/h (1.1 gal/h)
WATER TANK	-	-
GRADEABILITY	35 %	35 %
MAX. INCLINE TO ALL SIDES	20 °	30 °



STANDARD EQUIPMENT

- Sturdy protection frame with central lifting point
- Powerful and reliable petrol or diesel engine
- 2-shaft exciter with long service intervalls
- Well protected, sturdy centrifugal clutch with wear resistant V-Belt
- 3 year extended warranty program

OPTIONAL EQUIPMENT

- Transport wheels
- Vulcollan mat for applications on paving stones
- Electric starter (Diesel engine)
- Hour meter
- 600 mm base plate